

1st Brigade Combat Team, 82nd Airborne Division,  
A-4-224 / A-6-000  
Beret Flash



Description/Blazon

A blue shield-shaped embroidered device with a semi-circular base 2 1/4 inches (5.72 cm) in height by 1 7/8 inches (4.76 cm) in width overall, edged with a 3/8 inch (.96 cm) yellow border. The beret flash was approved on 8 March 2006. . (TIOH Dwg. No. A-4-224)

Background Trimming

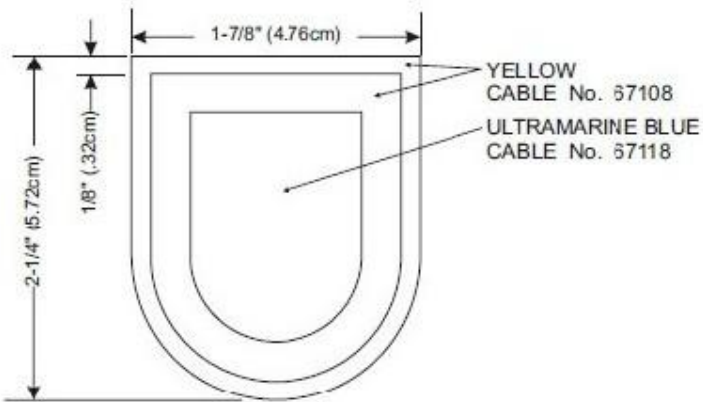


Description/Blazon

A blue oval shaped embroidered device 1 3/8 inches (3.49 cm) in height by 2 1/4 inches (5.72 cm) in width overall, edged with a 3/8 inch (.96 cm) yellow border. The background trimming was approved on 8 March 2006. (TIOH Dwg. No. A-6-000)

[Information & Plaques Courtesy of The Institute of Heraldry!!](#)

REVISIONS			
LTR	DESCRIPTION	DATE	APPROVED



**DESIGNED FOR OVEREDGE STITCHING**

UNLESS OTHERWISE SPECIFIED DIMENSIONS ARE IN INCHES TOLERANCES ON FRACTIONS DECIMALS ANGLES

MATERIALS:  
TO BE MANUFACTURED IN ACCORDANCE WITH MIL-DTL-14652

EXAMINED	<i>SMH</i>
CHECKED	<i>pm</i>
PREPARED	<i>CLH</i>
APPROVED	<i>Charles V. Mugno</i> CHARLES V. MUGNO DIRECTOR

THE INSTITUTE OF HERALDRY, U.S. ARMY  
9325 GUNSTON RD. S-112 FORT BELVOIR, VA 22060-557 9

BERET FLASH FOR  
**1ST BRIGADE COMBAT TEAM,  
82D AIRBORNE DIVISION**

SIZE	CONTROL IDENT. NO	
<b>A</b>	<b>22571</b>	<b>A-4-224</b>
SCALE	FULL	DATE
		<b>16 FEBRUARY 2006</b>